

PLASTIC BARRICADE BOARDS/RAILS

PLASTIC BOARDS FOR TYPE III BARRICADES

TD4000 SERIES

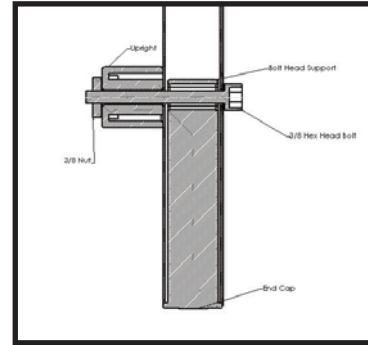
NCHRP350 CRASH TEST CERTIFIED
AND MEETS MUTCD STANDARDS



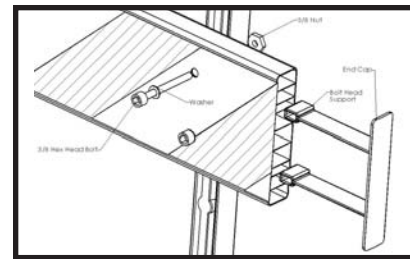
4100 MODEL
1" x 8"



4200 MODEL
2" x 8"



End Cap Cutaway View



End Cap Assembly

FEATURES:

- Lightweight features allow ease of handling.
- More resistant to hot climates with less bending and warping.
- Made from High Density Polyethylene with polymer protection, and a UV stabilizer. Will not fade, become brittle or splinter.
- Extruded plastic boards featuring a reinforced 10-rib panel design, the strongest board in the industry.
- Manufactured in any length desired.
- Component part used in TD2000 and TD3000 series.
- End caps on TD2000 series provide internal support that eliminates tightening problems on hollow core plastic boards.

COLORS AVAILABLE:

The TD4000 Series Plastic Boards are currently available in white. Three D Traffic Works can manufacture this product to your desired color.

GENERAL INFORMATION:

General information is listed on the reverse side. The measurements provided is intended only as a source of information. They are given without guarantee and is not classified as a warranty. A specification will be sent to you upon request.

Another Innovative Product From The Works™



Three D
Traffic Works, Inc.

MADE IN
USA



**TD4000 SERIES
PLASTIC BARRICADE BOARDS/RAILS
SPECIFICATIONS**

- **Dimensions of TD4100:**
 - Height: 0.85 Inches
 - Width: 8.25 Inches
 - Length: 4,5,6 or 8 Feet
 - Weight: 0.75 lb./ft.
- **Dimensions of TD4200:**
 - Height: 1.70 Inches
 - Width: 8.25 Inches
 - Length: 4,5,6 or 8 Feet
 - Weight: .12 lb./ft.
- **TD4100/4200:**
 - Material: High Density Polyethylene
- **TD4100/4200:**
 - Outer Wall Thickness: 0.75 Inches
 - Inner Wall Thickness: 0.65 Inches
- **Flat surface on top and bottom of panel for 8 inches of retroreflective sheeting to conform to MUTCD requirements.**

