

WORKS BARRICADE BOARDS PLASTIC BARRICADE PANELS TD4300 SERIES

NCHRP350 CRASH TEST CERTIFIED
AND MEETS MUTCD STANDARDS



FEATURES:

- Withstands the strongest of impacts.
- Unique honeycomb rib pattern provides improved board strength, durability and rigidity.
- Made from High Density Polyethylene with polymer protection UV stabilizer. Injection molded plastic boards.
- Type I and Type II barricade boards available in 6"x24", 8"x24" or 12"x24" signs.
- Provided with molded bolt holes that have been squared to accept standard carriage bolts.
- Molded recessed ribs protect sheeting.

COLORS AVAILABLE:

The TD4300 Works Barricades are currently available in White and Fluorescent Orange. Three D Traffic Works can manufacture this product to your desired color.

GENERAL INFORMATION:

General information is listed on the reverse side. The measurements provided is intended only as a source of information. They are given without guarantee and is not classified as a warranty. A specification will be sent to you upon request.

Another Innovative Product From The Works™



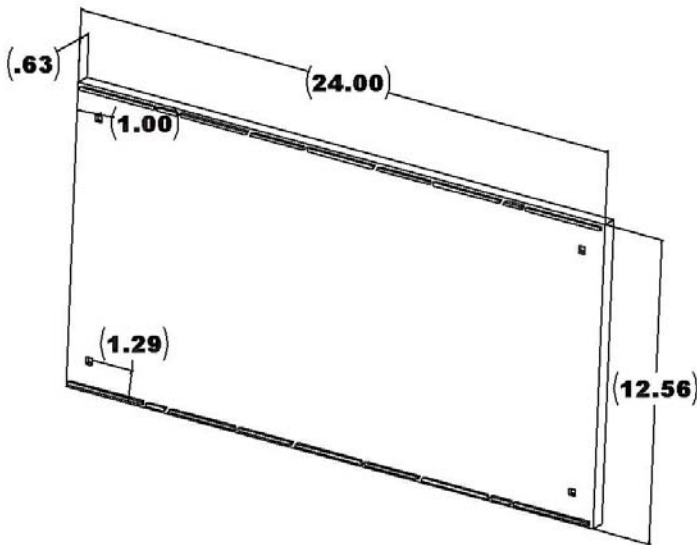
**Three D
Traffic Works, Inc.**

**MADE IN
USA**

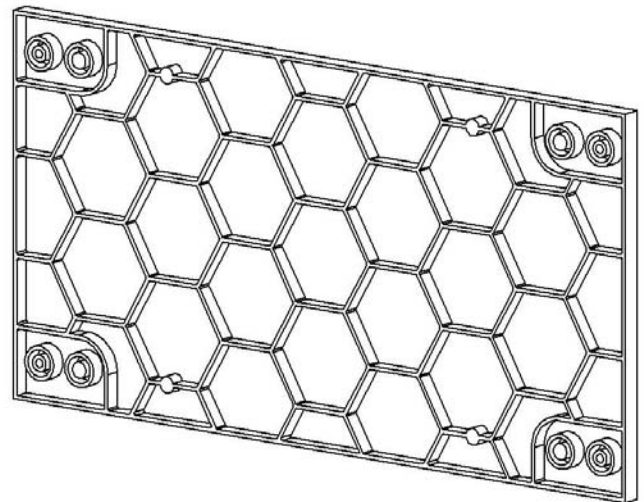


**TD4300 SERIES
WORKS BARRICADE BOARDS
SPECIFICATIONS**

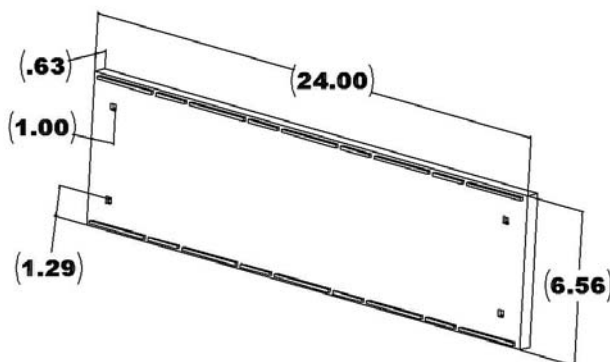
- **Dimensions:**
 Height: 0.63 Inches
 Width: 24.00 Inches
 Length: 6 to 12 Inches
- **Weight:**
 6"x24" @ 1.10 lb
 8"x24" @ 1.40 lb
 12"x24" @ 1.80 lb
- **Color:**
 White or
 Fluorescent
 Orange
- **Material:**
 UV Stabilized Polymer
 Alloy with a Cold
 Weather Protection
 Package



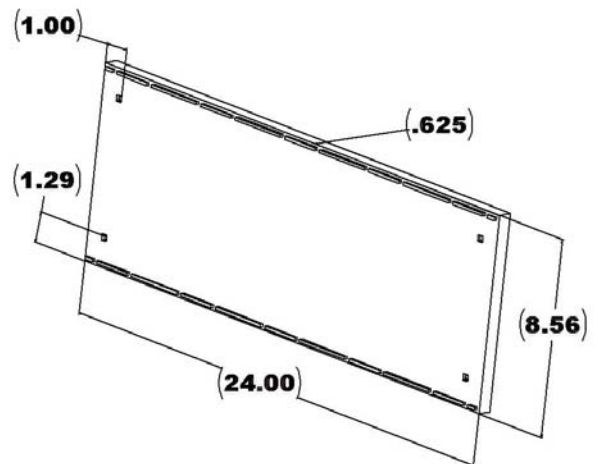
TD4312 12"X24" BOARD



TD4300 SERIES RIB PATTERN



TD4306 6"X24" BOARD



TD4308 8"X24" BOARD