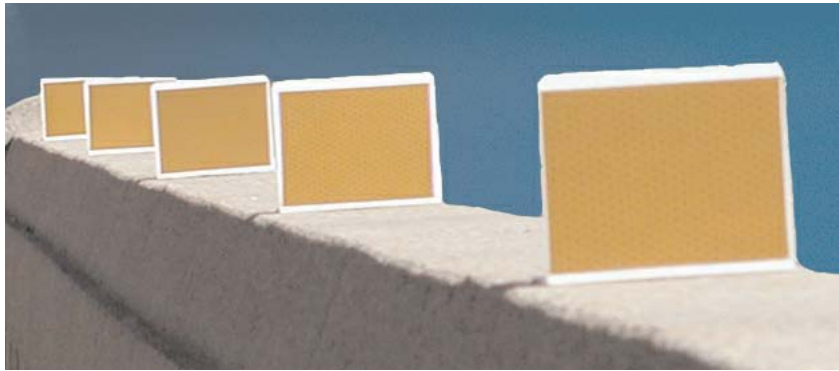
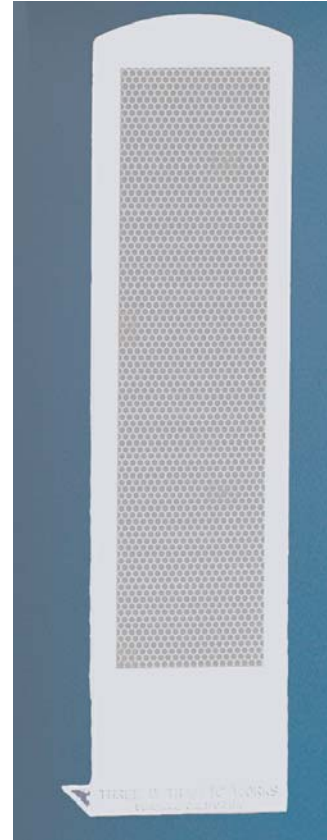


ROADGUIDE™
BRIDGE AND CONCRETE BARRIER MARKERS
TD9300/TD9400 SERIES

IMPROVED DESIGN FOR BETTER ADHESION



9300 Series



9400 Series

FEATURES:

- Produced using specially formulated high impact polymer that provides exceptional flexibility increasing impact resistance.
- Larger molded hole to allow more adhesive to flow through to increase bond between marker and barrier, facilitating ease of installation.
- Injection molding to bend on impact and return to their original shape.
- TD9400 panels are ribbed on the back to increase strength.

COLORS AVAILABLE:

The TD9300 and TD9400 series is available in white. Three D Traffic Works can manufacture this product to your desired color.

GENERAL INFORMATION:

General information is listed on the reverse side. The measurements provided is intended only as a source of information. They are given without guarantee and is not classified as a warranty. A specification will be sent to you upon request.



Another Innovative Product From The Works™



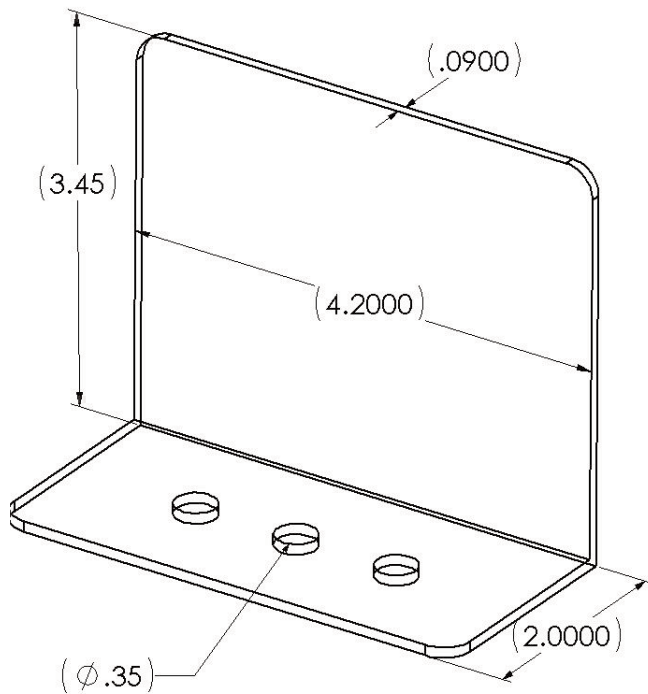
**Three D
Traffic Works, Inc.**

**MADE IN
USA**



**Three D
Traffic Works, Inc.**

**MADE IN
USA**



TD9300 SERIES

ROADGUIDE™ CONCRETE BARRIER MARKER SPECIFICATIONS

Dimensions: Model TD9304 Marker

- **Height: 3.45 Inches**
- **Width: 4.20 Inches**
- **Foot Depth: 2.00 Inches**
- **Thickness: 0.09 Inches**
- **Hole Diameter: .35 Inches**
- **Max Reflectivity: 12 Sq. Inches**
- **Material: Specially Formulated High Impact Polymer, with UV Stabilizers and Cold Weather Protection Package.**

TD9400 SERIES

ROADGUIDE™ CONCRETE BARRIER MARKER SPECIFICATIONS

Dimensions: Model TD9416 Marker

- **Height: 16.25 Inches**
- **Width: 4.00 Inches**
- **Foot Depth: 3.00 Inches**
- **Thickness: 0.10 Inches**
- **Hole Diameter: .25 Inches**
- **Max Reflectivity: 36 Sq. Inches**
- **Material: Specially Formulated High Impact Polymer, with UV Stabilizers and Cold Weather Protection Package.**

